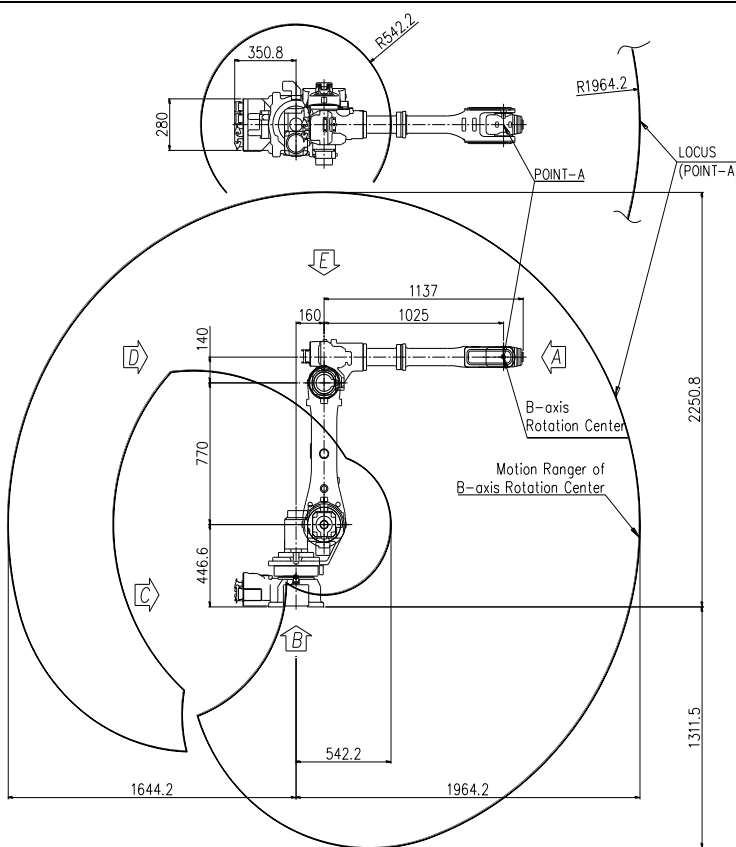


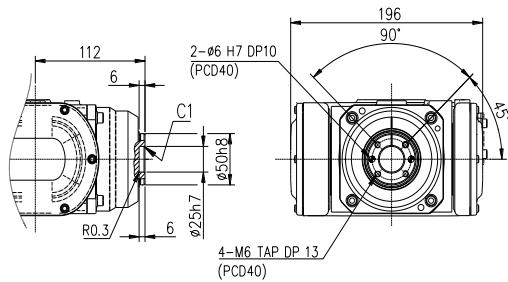
HH010L

Payload 10Kgf

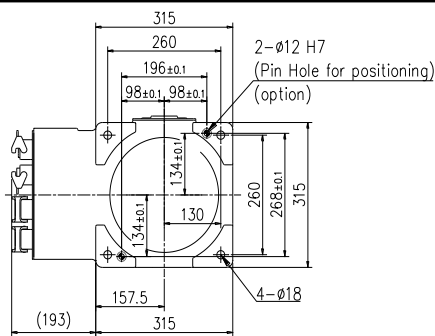
Installation method		Application	
Floor	●	Spot welding	
Ceiling	●	Arc welding	●
Wall surface	●	Handling	●
		Assembly	●
		Sealing	●
		Painting	



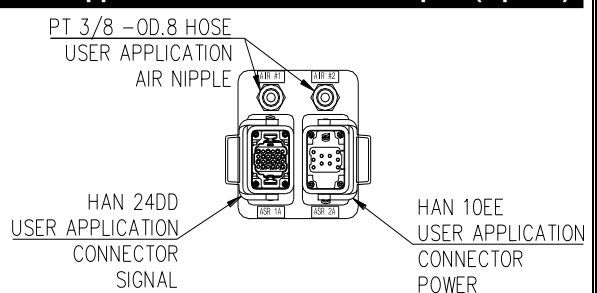
View A: Detailed drawing of the wrist attachment part



View B: Dimensional drawing for the floor installation of the body

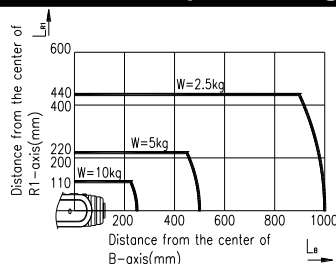


View C: Application cable connection part (Option)

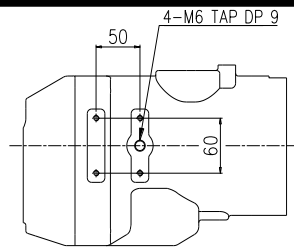


View D: Application cable connection part (Option)

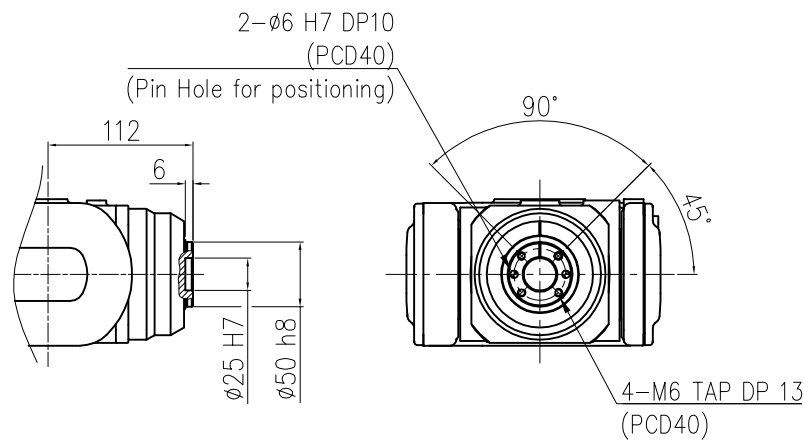
Wrist-axis torque line diagram



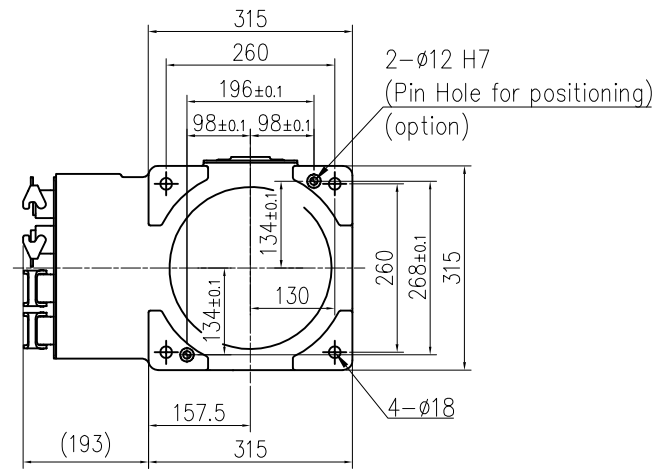
View E: Details of the application ancillary part attachment



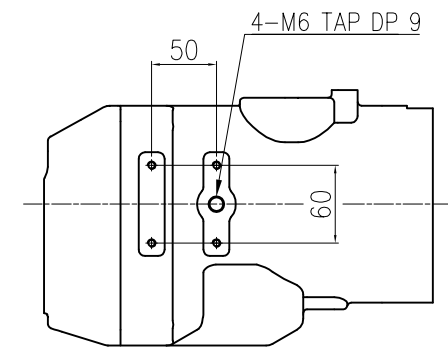
** For product improvement, some of the ratings, specifications, dimensions, etc. are subject to changes without notice.



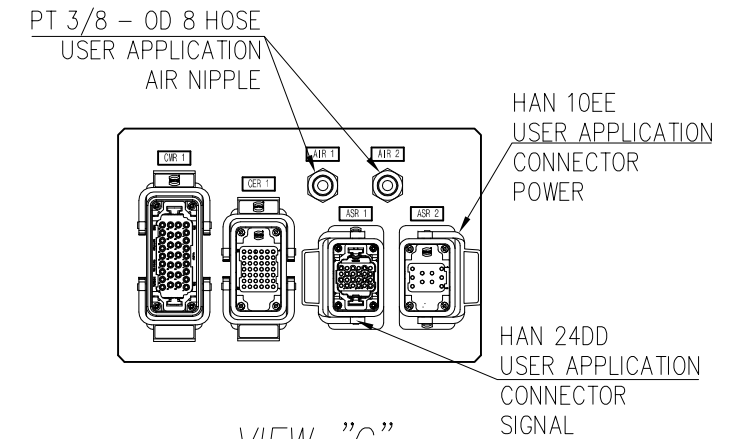
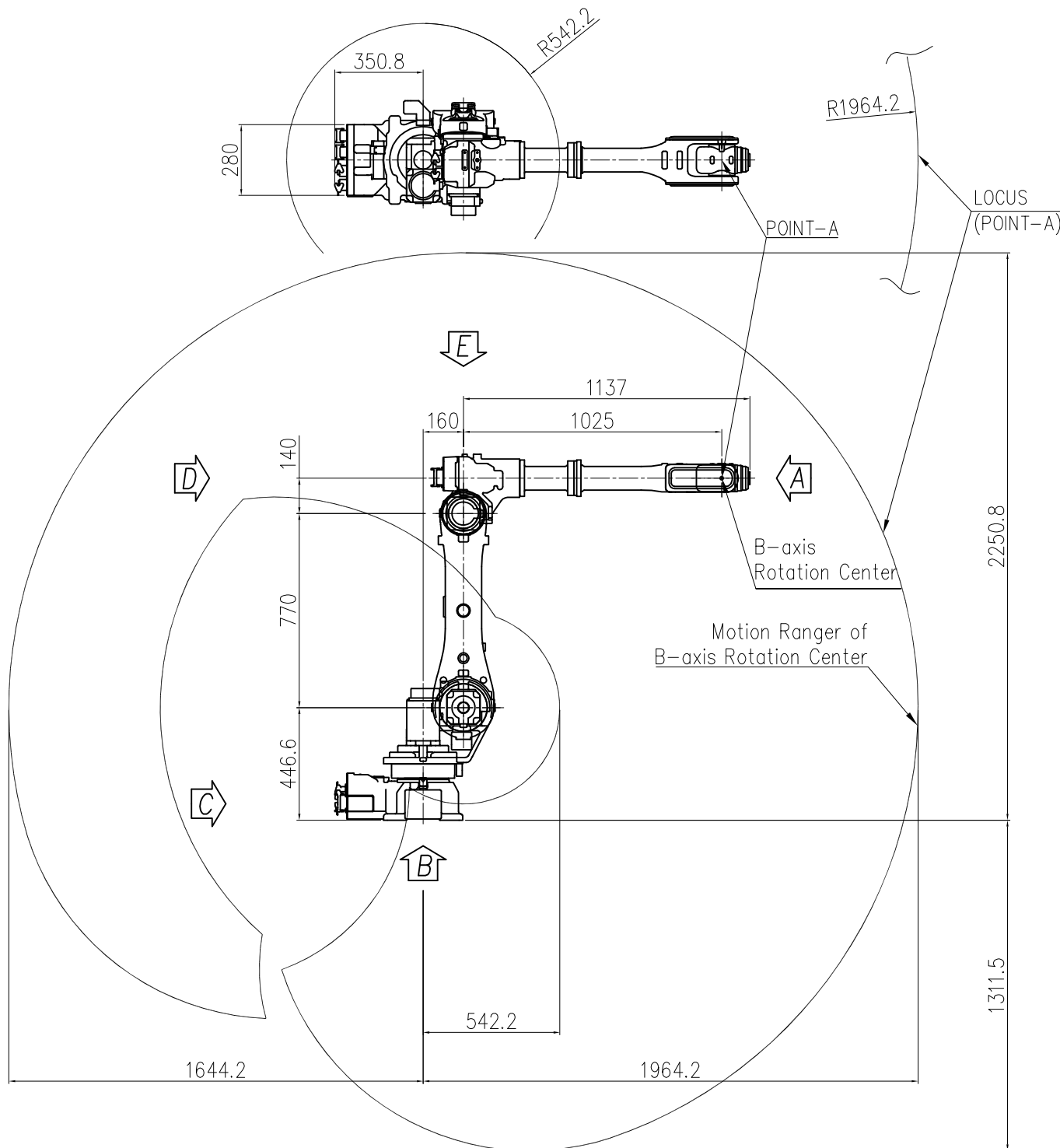
VIEW "A"
(SCALE : 4/1)



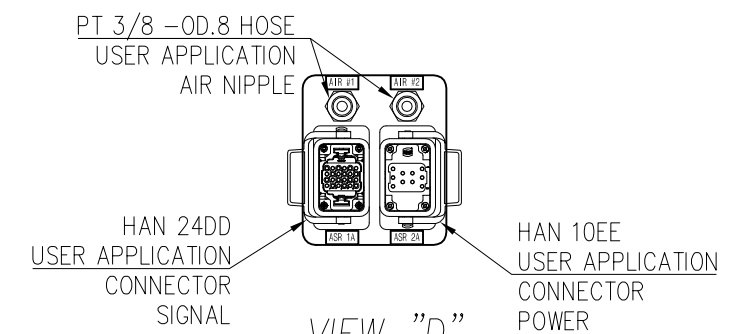
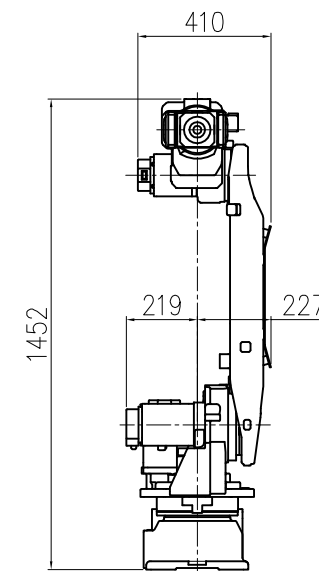
VIEW "B"
(SCALE : 2/1)



VIEW "E"
(SCALE : 4/1)



VIEW "C"
(SCALE : 4/1)



VIEW "D"
(SCALE : 4/1)

TECHNICAL SPECIFICATION SUBJECT TO
CHANGE WITHOUT NOTICE

MODEL	HH010L	issue.0
DATE	2018.06.19	

