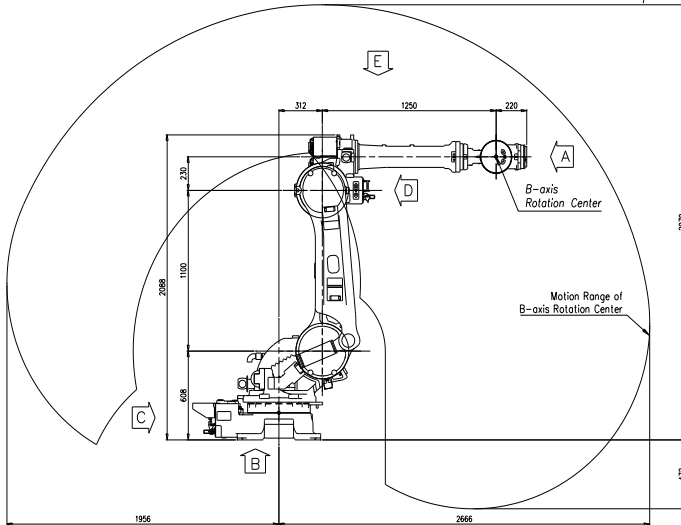


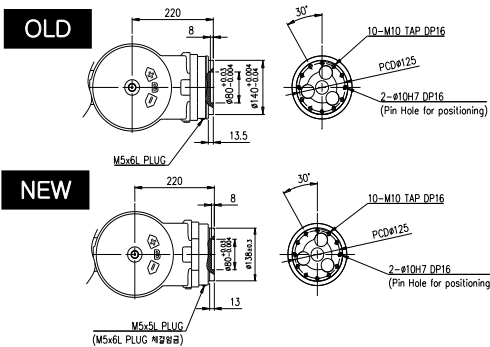
# HS180/HS220

가반중량 180Kgf/200Kgf

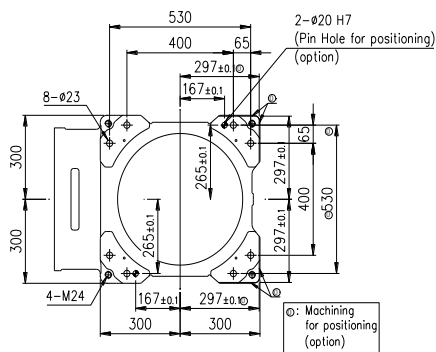
Installation method		Application	
Floor	●	Spot welding	●
Ceiling		Arc welding	
Wall surface		Handling	●
		Assembly	
		Sealing	●
		Painting	



View A: Detailed drawing of the wrist attachment part

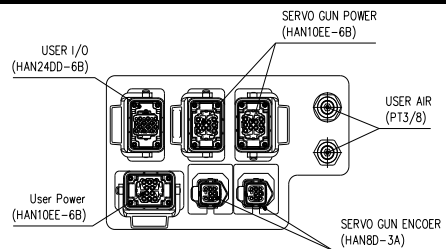


View B: Dimensional drawing for the floor installation of the body



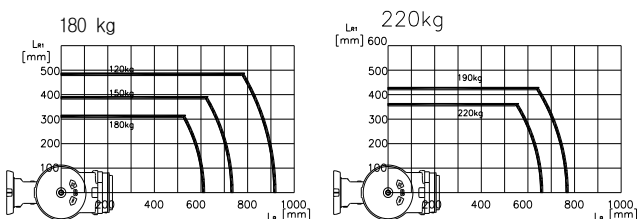
View C: Application cable connection part (Option)

View D: Application cable connection part (Option)



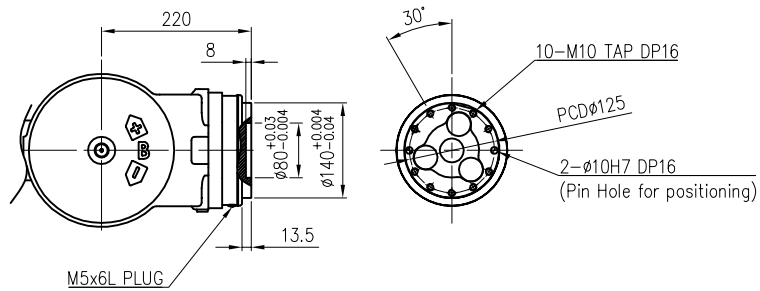
View E: Details of the application ancillary part attachment

## Wrist-axis torque line diagram

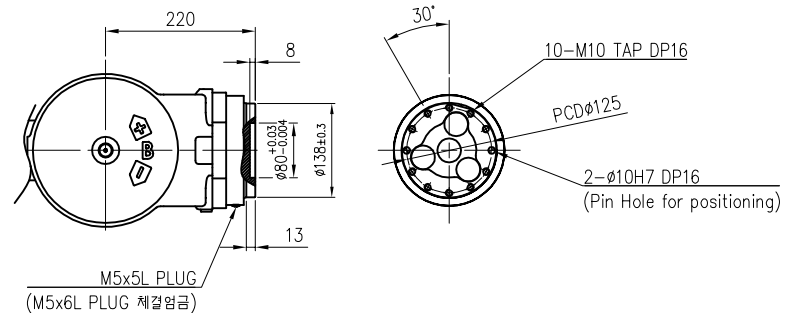


\*\* For product improvement, some of the ratings, specifications, dimensions, etc. are subject to changes without notice.

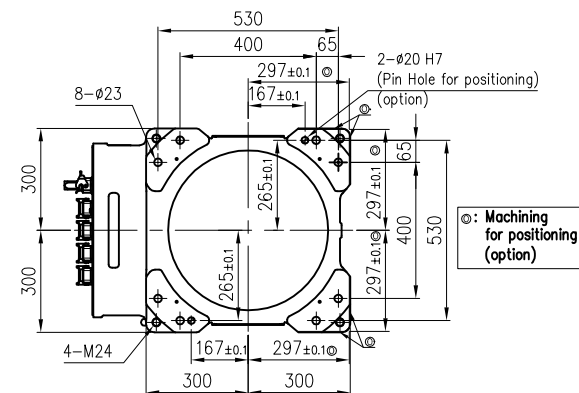
Item		Specification	
Robot model		HS220	
Payload		180 Kg	220 Kg
Structure		Articulated	
Degree of freedom		6 axes	
Drive system		AC SERVO MOTOR	
Max. working envelope	Arm	S Swivel	$\pm 3.142$ rad ( $\pm 180^\circ$ )
		H Horizontal	$+2.705 \sim +0.175$ rad ( $+155^\circ \sim +10^\circ$ )
		V Vertical	$+3.316 \sim -1.396$ rad ( $+190^\circ \sim -80^\circ$ )
	Wrist	R2 Rotation 2	$\pm 6.283$ rad ( $\pm 360^\circ$ )
		B Bending	$\pm 2.234$ rad ( $\pm 128^\circ$ )
Max. working speed	Arm	S Swivel	2.094 rad/s (120°/s)
		H Horizontal	2.007 rad/s (115°/s)
		V Vertical	2.182 rad/s (125°/s)
	Wrist	R2 Rotation 2	3.229 rad/s (185°/s)
		B Bending	3.054 rad/s (175°/s)
Wrist torque	R2 Rotation 2	1079 N·m (110 kgf·m)	
	B Bending	1079 N·m (110 kgf·m)	
	R1 Rotation 1	566 N·m (58 kgf·m)	
Accuracy of position repeatability		$\pm 0.11$ mm	
Ambient Temperature		0 ~ 45 °C (273 ~ 318 K)	
Robot's Weight		955Kg	



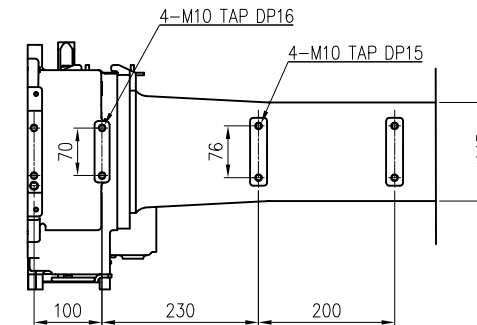
VIEW "A"(OLD)  
(SCALE : 2/1)



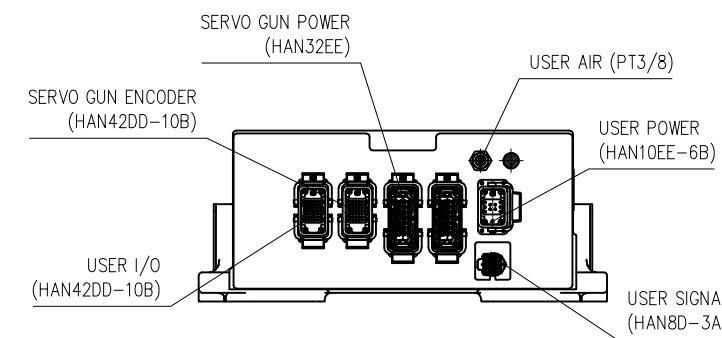
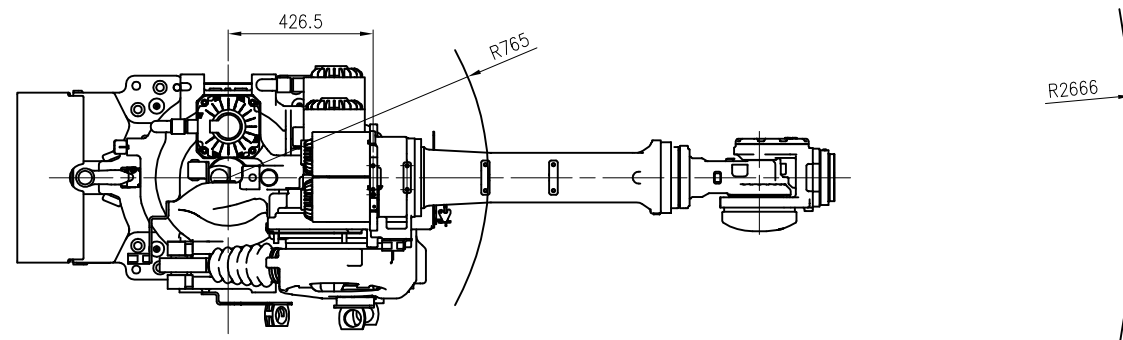
VIEW "A"(NEW)  
(SCALE : 2/1)



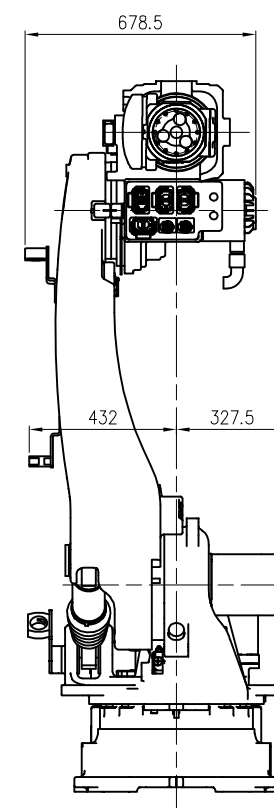
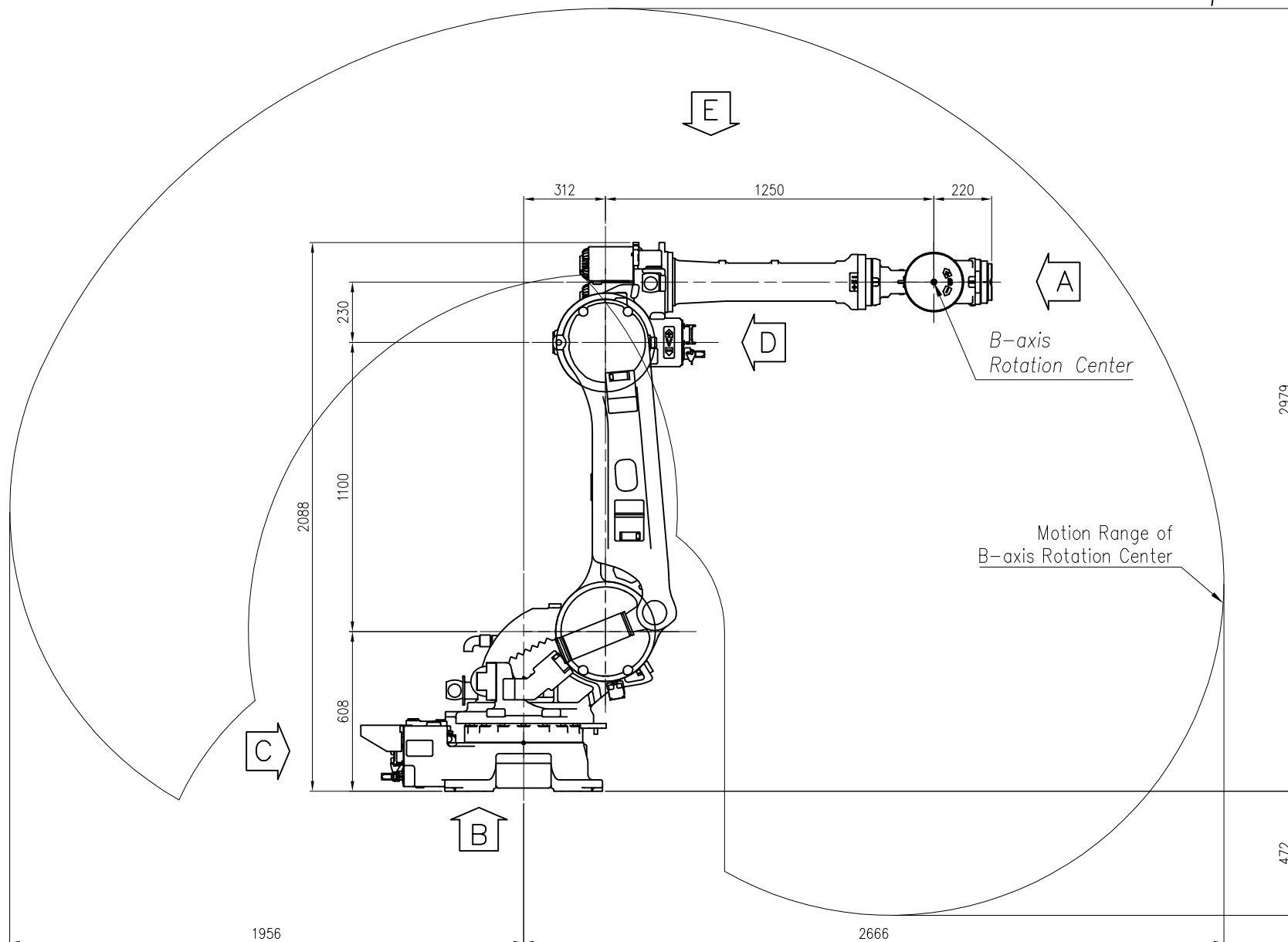
VIEW "B"  
(SCALE : 1/1)



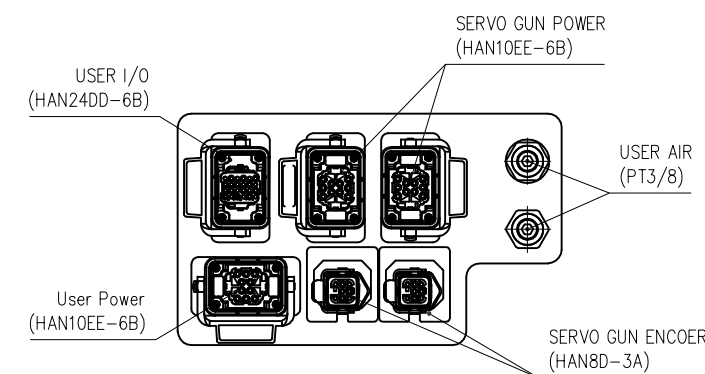
VIEW "E"  
(SCALE : 2/1)



VIEW "C"  
(SCALE : 2/1)



VIEW "D"  
(SCALE : 2/1)



MODEL	HS220	issue.0
DATE	2018.06.19	

TECHNICAL SPECIFICATION SUBJECT TO CHANGE WITHOUT NOTICE

**HYUNDAI ROBOTICS**